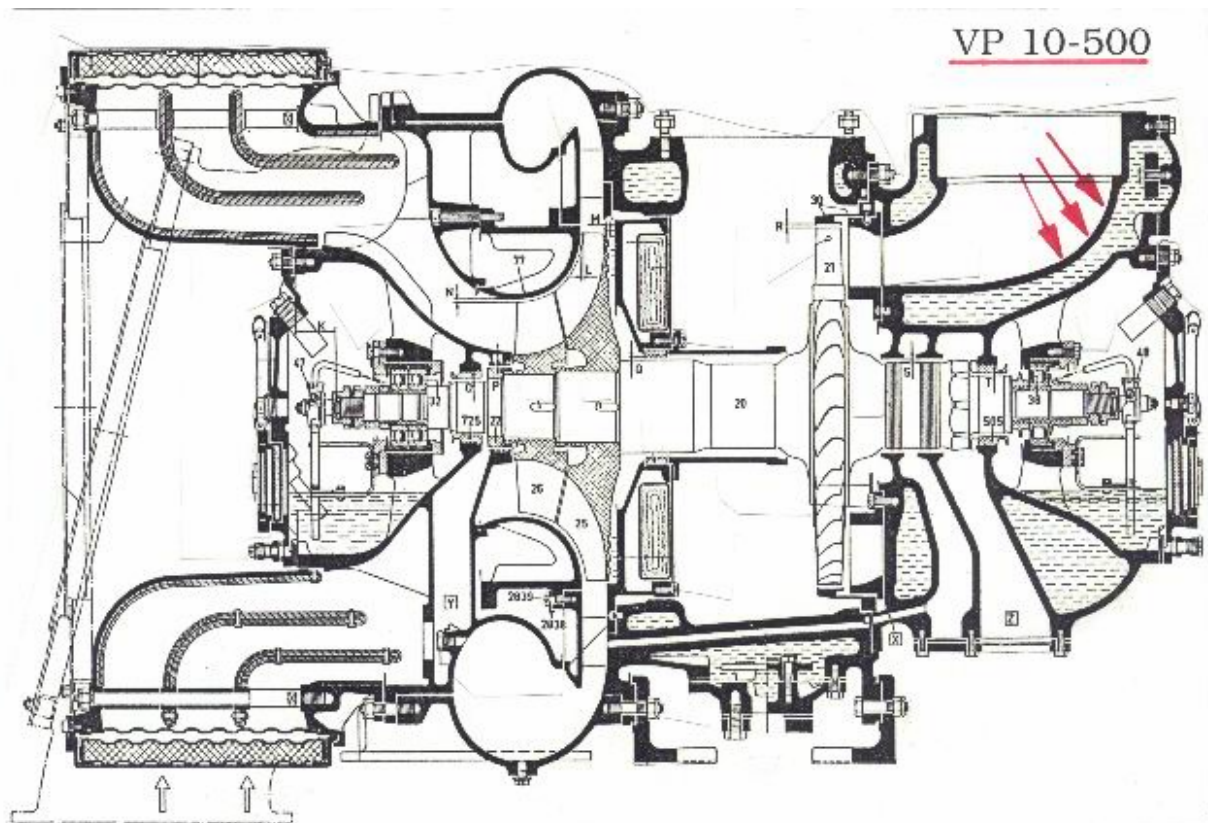


Worldwide repairs carried out with PolymerMetal®

REP-# 102

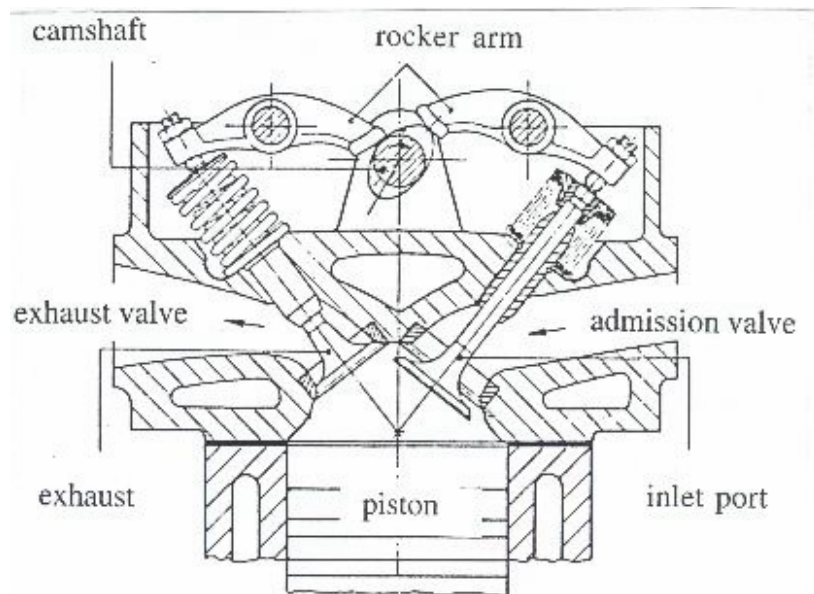


Repair of a ship's turbocharger with VP 10-500. Scourings, cracks and apertures from the gas entrance to the cooling water side were repaired with VP 10-500. For the reinforcement two layers of MM-Fabric tape (glass fibre) were used.

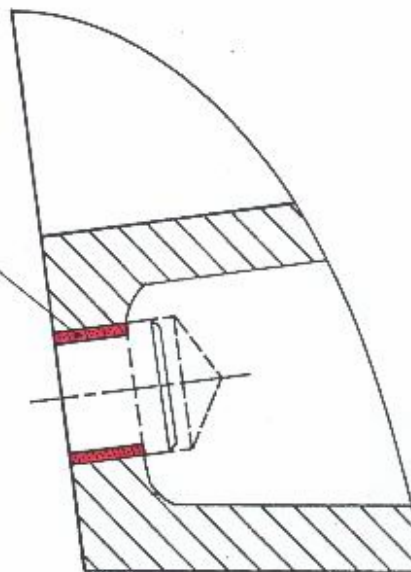
**MultiMetall**  
the MetalExistenceCompany™

## Worldwide repairs carried out with PolymerMetal<sup>®</sup>

REP-# 103



VP 10-500



With VP 10-500 a non-sealant vent plug in a cylinder head at an exhaust port was repaired. VP 10-500 was applied in a thickness of appr. 3 mm. Afterwards the plug seals remained gas-proof in spite of high operating temperatures of 300 °C.

**MultiMetall**  
the MetalExistenceCompany™

*Worldwide repairs carried out with PolymerMetal<sup>®</sup>*

REP-# 122



Repair of a turbo charger using MM-metal SS-steelceramic. Today MultiMetall recommends the newer product VP 10-500.

**MultiMetall**  
the MetalExistenceCompany™



Interested parties, please contact  
Authorized Exclusive Distributor in Indonesia, Singapore, Malaysia, Phillipine, Brunei  
**PT BAUMA ADHESIVE**

16th Floor, Wisma Metropolitan II, Kav. 29-31, Jalan Jendral Sudirman, Jakarta 12920, Indonesia

Phone : (62-21) 5711850 • Fax : (62-21) 5711861 • Website : [www.bauma.com/multimetall](http://www.bauma.com/multimetall) • E-mail : [baumaadhesive.sales@bauma.co.id](mailto:baumaadhesive.sales@bauma.co.id)



## Technical Report PolymerMetal®

### TEC-# 003



Destructive test

### Used products

VP 10-500

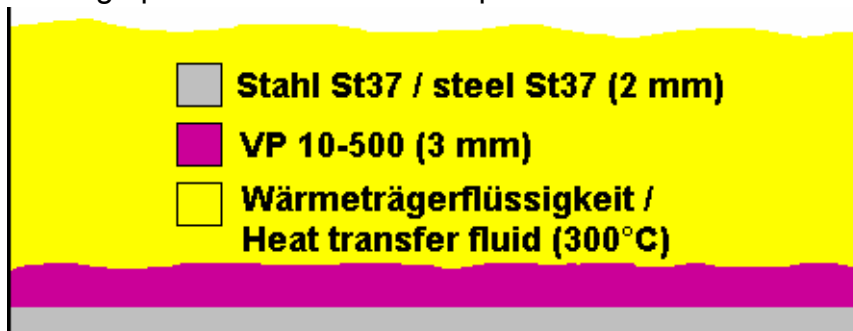
### Description

The metal (steel St 37) with the applied VP 10-500 has been heated up to 280 °C

-  **Stahl St37 / steel St37 (2 mm)**
-  **VP 10-500 (3 mm)**



Then followed a heating up in an oil-bath with temperature of 300 °C



Then the compressive strength according to Brinell was checked and also by chisel



Finally a destructive test with hammer and chisel was done



### Summary

After the destructive test only the structure of VP 10-500 was destroyed. The bonding on the steel remained constantly excellent.

**MultiMetall**  
the MetalExistenceCompany™



Interested parties, please contact  
Authorized Exclusive Distributor in Indonesia, Singapore, Malaysia, Phillipine, Brunei

**PT BAUMA ADHESIVE**

16th Floor, Wisma Metropolitan II, Kav. 29-31, Jalan Jendral Sudirman, Jakarta 12920, Indonesia

Phone : (62-21) 5711850 • Fax : (62-21) 5711861 • Website : [www.bauma.com/multimetall](http://www.bauma.com/multimetall) • E-mail : [baumaadhesive.sales@bauma.co.id](mailto:baumaadhesive.sales@bauma.co.id)